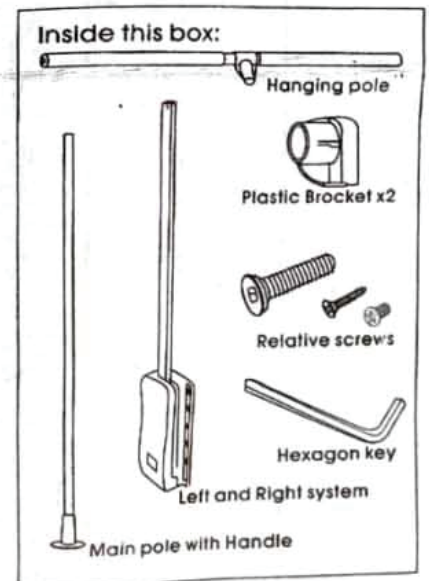
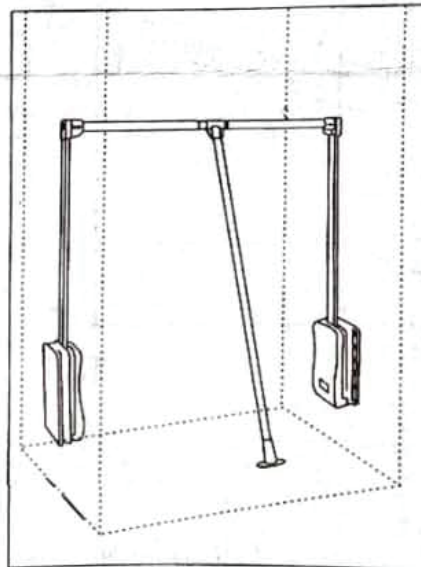
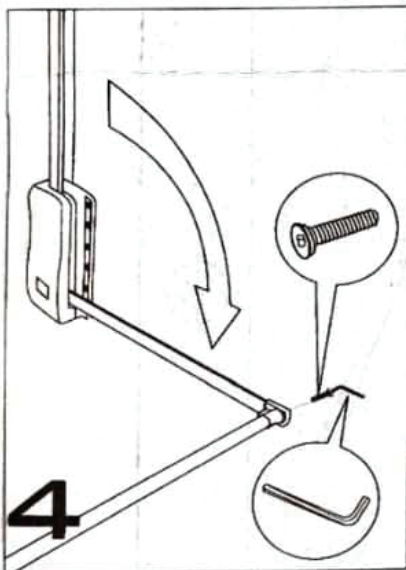
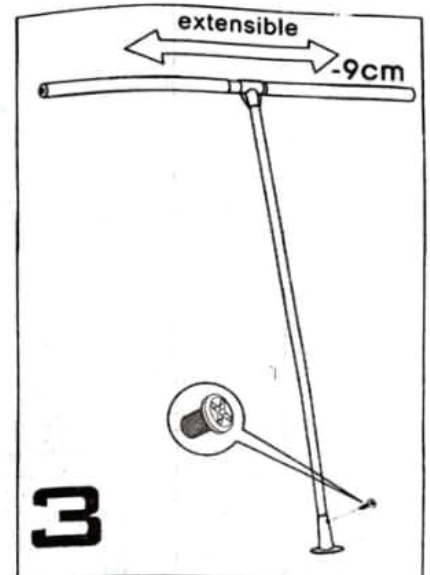
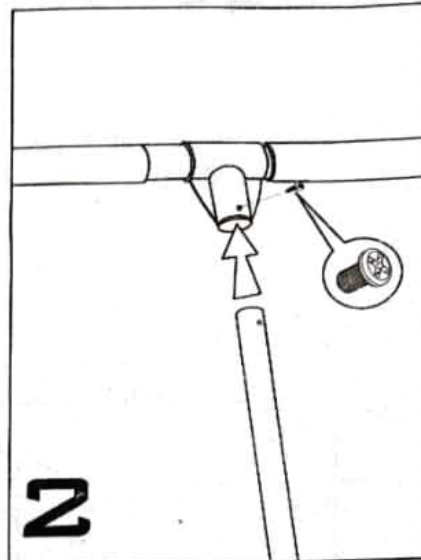
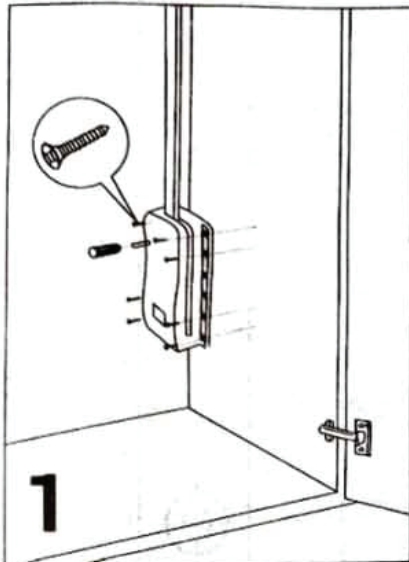


Wardrobe Lifter

Instruction Sheet



1. Fix both left and right system by at least 8PCS fixing screw on each system, for better result, please fix 12pcs screws on each system. Pls. make sure the left and right system symmetrical in vertical and horizontal Place.
2. Assemble the main pole to the hanging pole by using the M3screw. Pls. make sure the main pole is in the middle place when you pull down lift.
3. Fix the handle to the main pole by using the M3 screw, and adjust the length Of the hanging pole 9cm less than the inside width of the wardrobe.
4. Pull down the arm of the system and place the plastic bracket on both side. Insert the hanging pole to the bracket and fix it together by using the hexagon screw.

